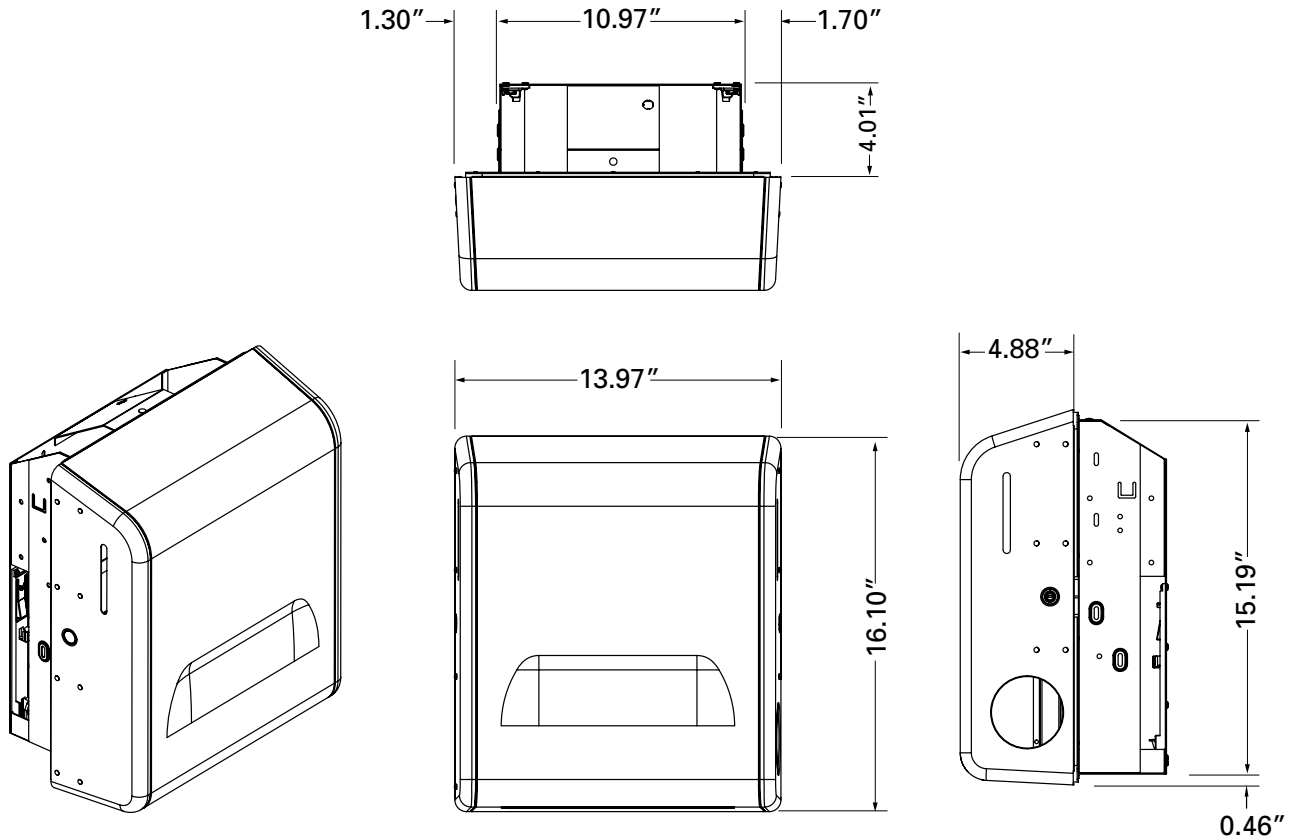


Scott® Pro Recessed Hard Roll Towel Dispenser Stainless Steel Housing without Trim



- Made from 304 brushed stainless steel
- For use in locations with wall stud centers greater than 12"
- Includes key-activated lock or can be converted to push-button operation with separately ordered accessory
- Holds one Scott Pro Electronic or Manual Modules; or one Scott Pro Onvation Module (ordered separately, see individual modules for specific functions and features)

Product Codes:

31501

Recessed Hard Roll
Towel Dispenser

Suggested mounting height is 48" from the floor or 12" above a counter to the bottom of the dispenser.

When installed properly and used with corresponding product, this dispenser meets ADA Standard 28 CFR Part 36, local rules may vary.

Rough Wall Opening:

11 1/8" Wide
15 3/8" High
4" Minimum Depth