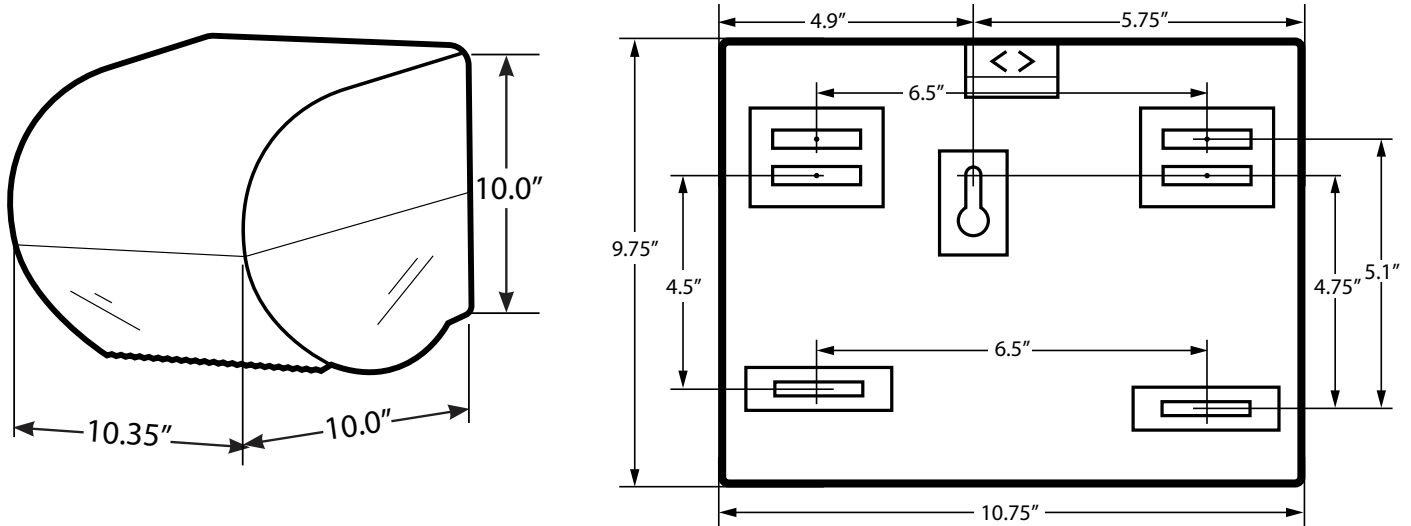


# Kimberly-Clark Professional OMNI Towel Dispenser



- Made of ABS plastic with smoked translucent cover
- Dispenses up to 1,000 feet of paper towel and guests can take the length of towel they need
- Compact design for areas with limited wall space
- No-touch dispensing system helps to minimize the spread of dirt and germs
- Stainless steel internal parts to resist corrosion
- Easy loading
- Choice of key-activated spring lock or push-button operation
- Hardware included for mounting
- One per case

**09746**  
Black

Suggested mounting height is 48" from the floor or 12" above a counter to the bottom of the dispenser.  
When installed properly and used with the corresponding product, this dispenser meets ADA Standard 28 CFR Part 36, local rules may vary.