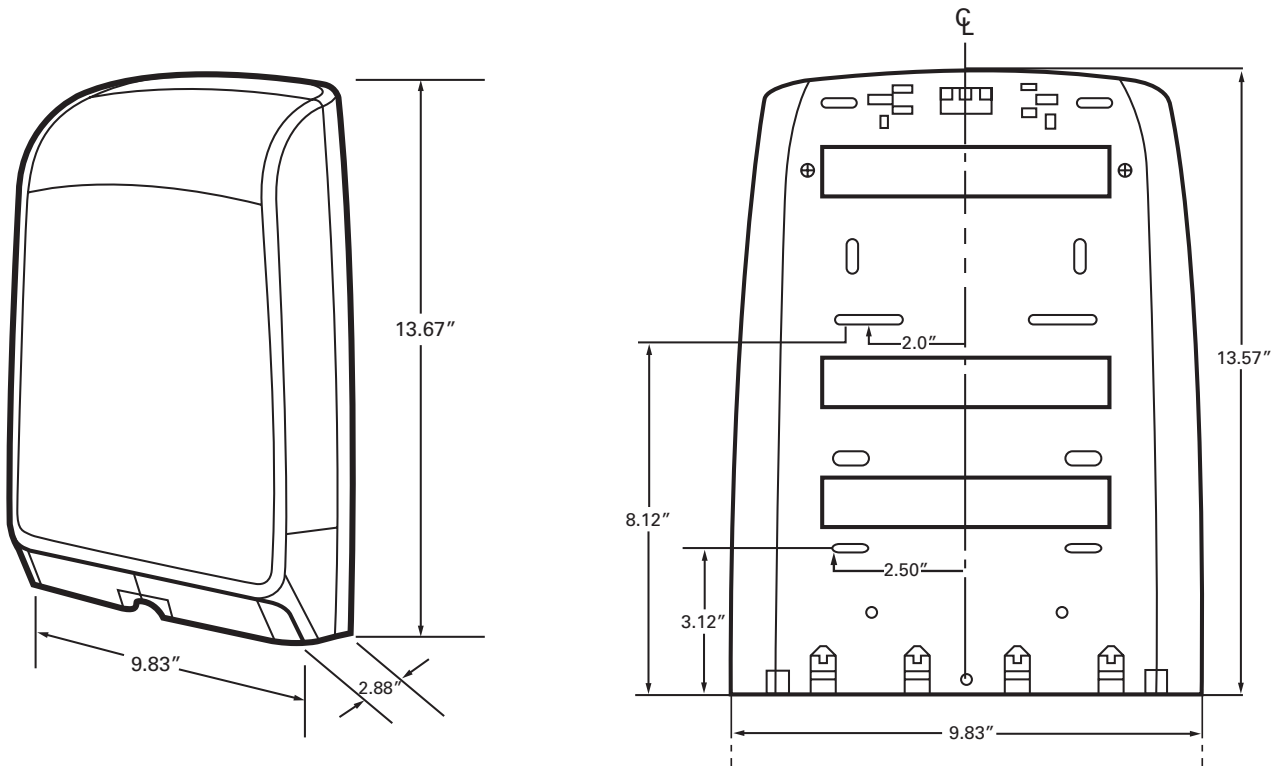


Scott® Control Slimfold™ Folded Towel Dispenser



- Made of ABS plastic with translucent sides and opaque black back
- Accommodates 2 full clips of Scott® Control Slimfold™ towels to help reduce maintenance
- Features include key-activated spring lock or push-button operation and hinged front cover
- Overfill mechanism to minimize tears and tabs from dispenser being overfilled
- Hardware included for mounting
- One per case

Product Codes:

34830
Faux Stainless

Suggested mounting height is 48" from the floor or 12" above a counter to the bottom of the dispenser.
When installed properly and used with the corresponding product, this dispenser meets ADA Standard 28 CFR Part 36, local rules may vary.