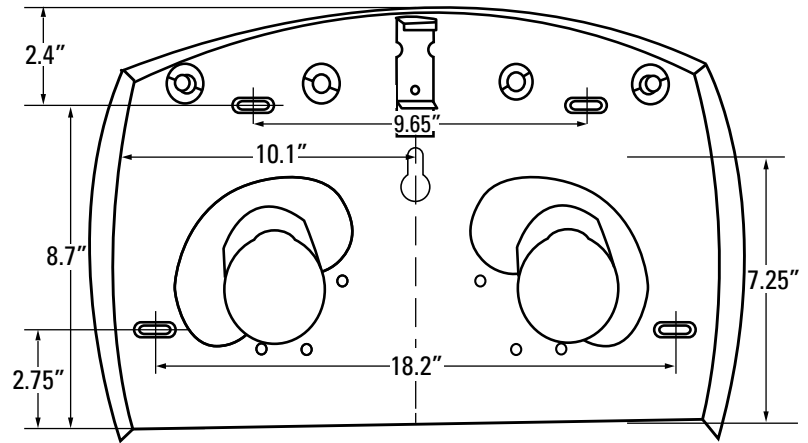
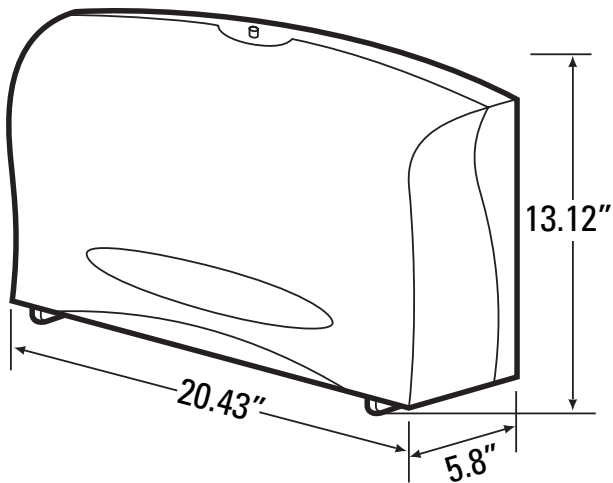


Scott® Essential Jumbo Roll Bath Tissue Dispenser



- Made of ABS plastic with smoked translucent sides and an opaque black back
- Designed to dispense either two full 9.38" diameter rolls, or one standard 13" diameter roll plus stub roll
- With two full 9.38" diameter rolls, it holds more than the equivalent, in length, of 10 standard rolls of bath tissue
- Minimizes run-out, waste, and maintenance time
- Hinged front cover
- Tear-off bars on sides and front of dispenser opening
- Choice of key-activated spring lock or push-button operation
- Hardware included for mounting
- One per case

Product Code:

09551

Black

Suggested mounting height for the outlet of the dispenser is 15" minimum and 48" maximum above the floor. In the presence of a grab bar rail, mount dispenser so that the outlet is no greater than 12" above the bar, or so that the top of the dispenser is no less than 1.5" below the bar.

When installed properly and used with corresponding product, this dispenser meets ADA Standard 28 CFR Part 36, local rules may vary.