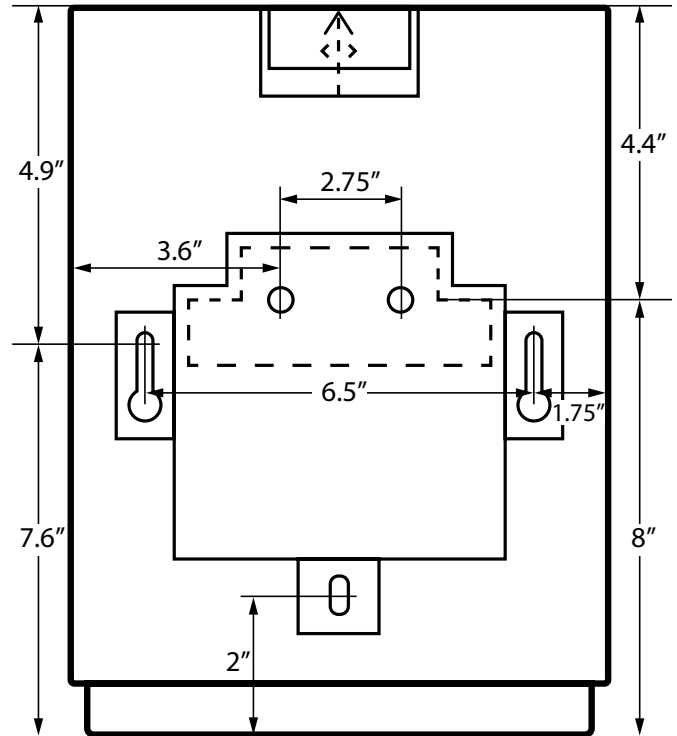
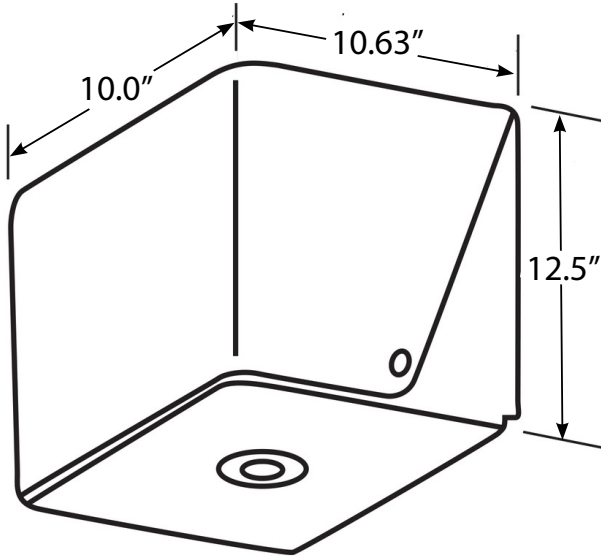


# Kimberly-Clark Professional™ Center-Flow Towel Dispenser



- Made of ABS plastic with smoked transparent cover
- Dispenses one high-capacity center-pull towel
- No-touch dispensing system helps to minimize the spread of dirt and germs
- No moving parts greatly reduces the likelihood of mechanical failure

- Easy loading
- Choice of key-activated spring lock or push-button operation
- Hardware included for mounting
- One per case

**09335**  
Black

Suggested mounting height is 48" from the floor or 12" above a counter to the bottom of the dispenser.  
When installed properly and used with the corresponding product, this dispenser meets ADA Standard 28 CFR Part 36, local rules may vary.