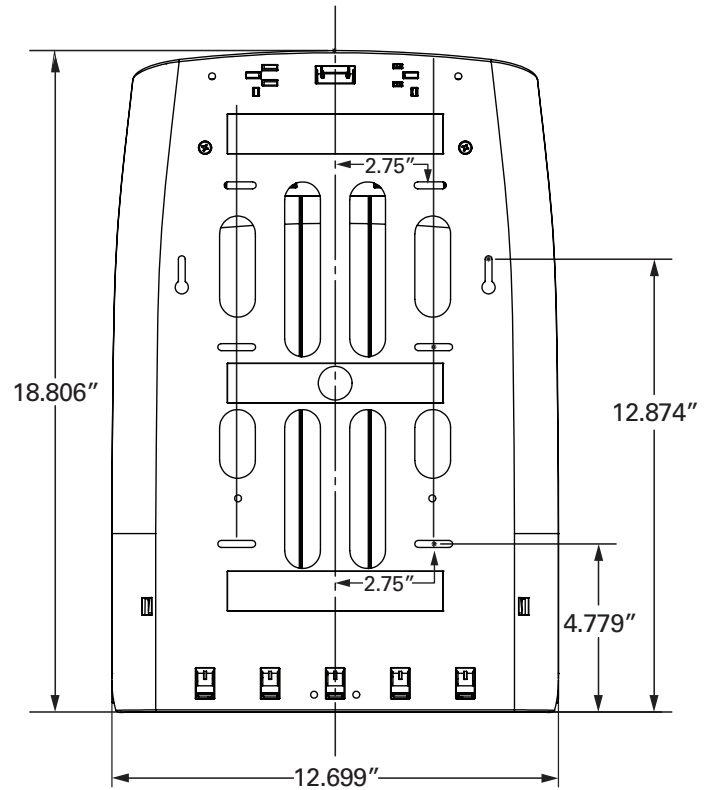
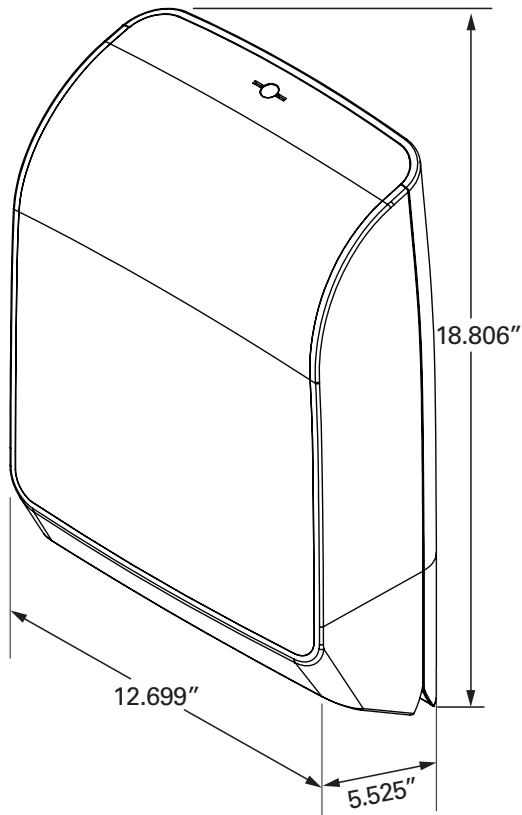


# Universal Folded Towel Dispenser



- Made of ABS plastic with translucent sides and opaque black back
- Accommodates multiple clips of Scottfold™, Multi-Fold, or C-Fold Towels (9.2"–10.1" width) to help reduce maintenance
- Features include key-activated spring lock or push-button operation and hinged front cover

- Overfill mechanism to minimize tears and tabs from dispenser being overfilled
- Hardware included for mounting
- One per case

**Product Codes:**

**39710**  
Faux Stainless

**51923**  
Onvation,  
Faux Stainless

**Suggested mounting height is 48" from the floor or 12" above a counter to the bottom of the dispenser.**

**When installed properly and used with the corresponding product, this dispenser meets ADA Standard 28 CFR Part 36, local rules may vary.**