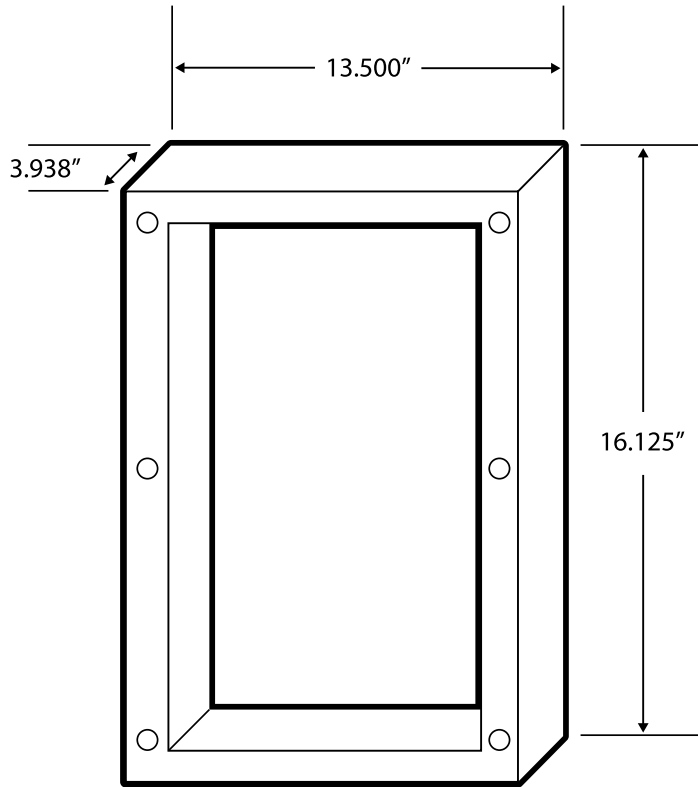


Scott® Pro Recessed Stainless Steel Frame



- Made of stainless steel, the Scott® Pro Recessed Dispenser Frame allows for a wall mount installation of our 31501 Scott® Pro Stainless Steel Dispenser Housing and combined with either the Scott® Pro electronic or mechanical housing, supports and promotes better hand and surface hygiene.
- The frame comes assembled and ready for attachment to the dispenser and provides a finished frame surround for the dispenser when it is installed on a wall surface.
- The dispenser (31501), and the module must be ordered separately.

Product Codes:

47873

Recessed Hard Roll
Towel Dispenser
Frame

Suggested mounting height is 48" from the bottom of the frame and housing.

When installed properly, this dispenser meets the ADA Standards for Accessible Design, 28 CFR Part 36, local rules may vary.

Rough Wall Opening:

11 1/8" Wide
15 3/8" High
4" Minimum Depth