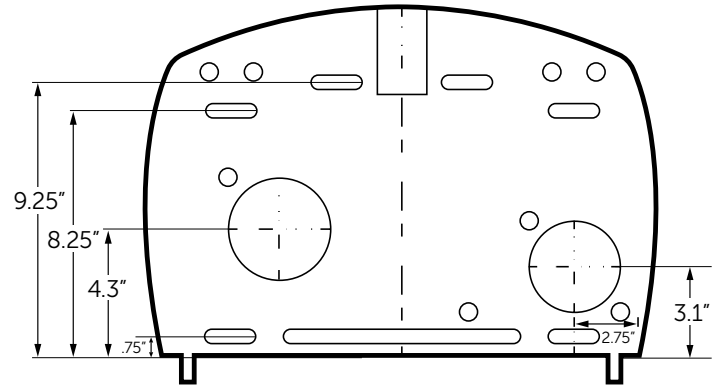
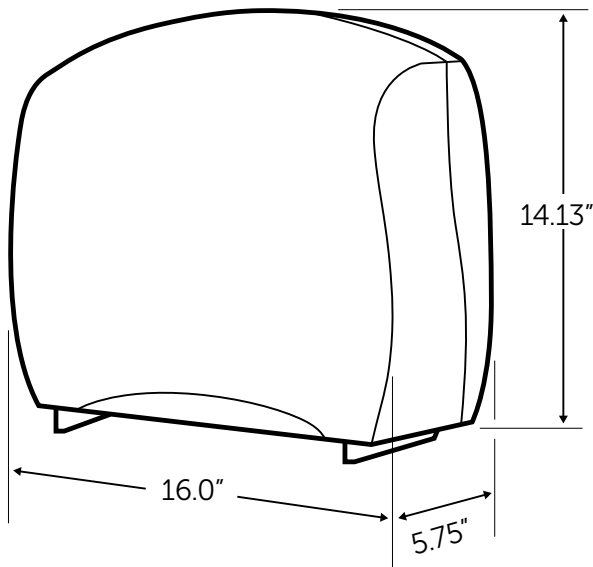


Scott® Essential Jumbo Roll Tissue Jr. Dispenser with Stub Roll



- Made of ABS plastic
- Designed to dispense a 9.38" diameter x 3.78" wide tissue roll with 3.25" diameter core, plus stub roll
- Holds more than the equivalent, in length, of five standard rolls of bath tissue
- Hinged front cover
- Tear-off bars on side and front of dispenser opening
- Choice of key-activated spring lock or push-button operation
- Hardware included for mounting
- One per case

Product Code:

09507
Black

09508
White

Suggested mounting height for the outlet of the dispenser is 15" minimum and 48" maximum above the floor. In the presence of a grab bar rail, mount dispenser so that the outlet is no greater than 12" above the bar, or so that the top of the dispenser is no less than 1.5" below the bar.

When installed properly and used with corresponding product, this dispenser meets ADA Standard 28 CFR Part 36, local rules may vary.