

# Mounting Instructions for Kimberly-Clark\* Professional Skin Care Dispenser

**IMPORTANT! For secure mounting, follow instructions thoroughly.**

**NOTE: Ensure that dispenser is mounted so that bottom edge of dispenser is a minimum of 10" above any surface, e.g. counter, back splash, etc.**

## OPENING DISPENSER

1. Dispenser cover may be opened by inserting key in slots on top of cover and depressing latch (**Figure 1**) or using optional push button.
2. If push button operation is desired, remove push button from back of housing and install prior to installation of dispenser. **See Instructions for Optional Pushbutton Lock Feature.**

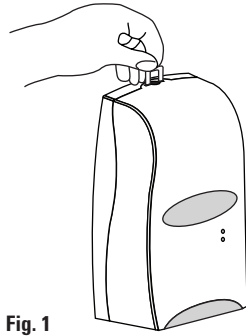


Fig. 1

## OPTIONAL PUSHBUTTON LOCK FEATURE

1. To install pushbutton remove decorative hole plug if one is installed by raising the lock spring (do not over-bend spring) and pushing out with a small screwdriver.
2. Remove pushbutton from back of dispenser.
3. Raise end of lock spring. Do not over-bend spring. **See Figure 2**
4. Slide pushbutton under lock spring. Insert button through hole in door. **See Figure 3**

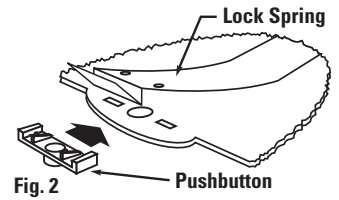


Fig. 2

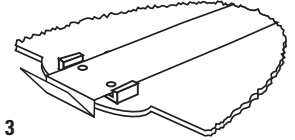


Fig. 3

## SCREW MOUNTING DISPENSER

For porous, textured, or wallpapered surfaces, screw mounting is recommended. Ensure that mounting hardware is appropriate for your wall surface.

1. The dispenser may be mounted using a minimum of four # 8 x 3/4" self-tapping screws and wall anchors. Ensure that proper mounting hardware is used for your wall composition.
2. Use the dispenser mounting template (**Figure 1**) provided to mark and drill holes. **NOTE: Bottom of dispenser must be a minimum of 10" above any surface, e.g. counter top, back splash, etc.**
3. To mount dispenser by screw mounting universal mounting bracket mark and drill appropriate holes on template. **NOTE: Bottom of universal mounting bracket must be a minimum of 13 1/2" above any surface, e.g. counter top, back splash, etc.**

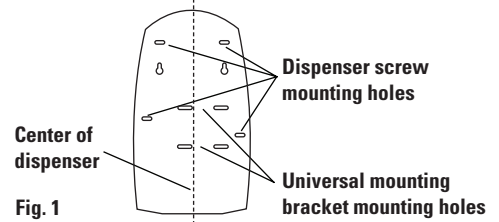


Fig. 1

## TAPE MOUNTING DISPENSER

Tape mounting is possible using enclosed tape pads or universal mounting bracket 91070 (provided separately)

### Using Tape Pads:

1. Wipe back of dispenser thoroughly with a clean dry cloth.
2. Remove backing paper from one side of small tape pad. Carefully align pad on top section of dispenser as shown in **Figure 1**. **Do not cover latch opening.** Press tape pad firmly against dispenser.
3. Remove backing paper from one side of large tape pad. Carefully align pad on bottom section of dispenser as shown in **Figure 1**. Press tape pad firmly against dispenser.
4. Clean mounting surface on tile, mirror, etc. thoroughly using isopropyl alcohol and a clean cloth. Allow surface to dry completely.
5. Make a light level line where bottom of dispenser will be located. **Ensure bottom edge of dispenser is a minimum of 10" above any surface, e.g. counter top, back splash, etc. Remove remaining backing paper from large and small tape pads.**
6. Align bottom edge of dispenser with line and press against mounting surface. Open dispenser and press firmly against mounting surface.
7. Allow dispenser to remain empty for 24 hours before installing soap refill.

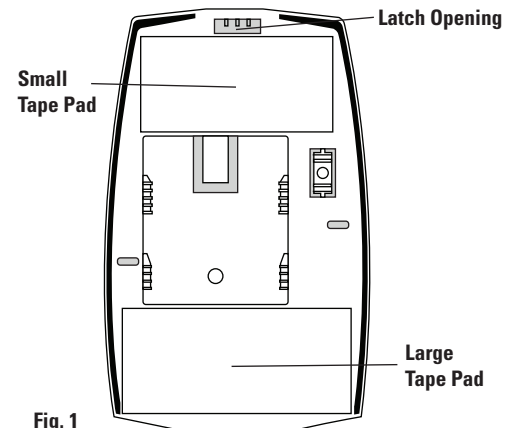


Fig. 1

### Using Universal Mounting Bracket:

**NOTE: Mounting bracket recess is offset from center of dispenser. Ensure to mount bracket so that center of dispenser is in desired position.**

1. Clean mounting surface on tile, mirror, etc. thoroughly using isopropyl alcohol and a clean cloth. Allow surface to dry completely.
2. Use template to locate and mark mounting bracket position.
3. Remove backing paper from mounting bracket tape.
4. Carefully align mounting bracket with marked location, ensuring it is level. Firmly press and hold mounting bracket against surface.
5. Allow mounting bracket to remain empty for a minimum of 24 hours before installing dispenser.

### Installing Dispenser on Universal Mounting Bracket:

1. Align mounting bracket in top of recess in dispenser. **See Figure 1**
2. Push dispenser up firmly. **See Figure 2**
3. Open dispenser and ensure snap is fully engaged with top of mounting bracket. **See Figure 3**

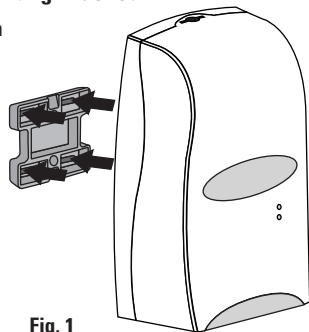


Fig. 1

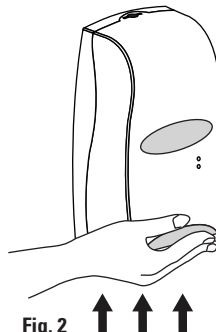


Fig. 2

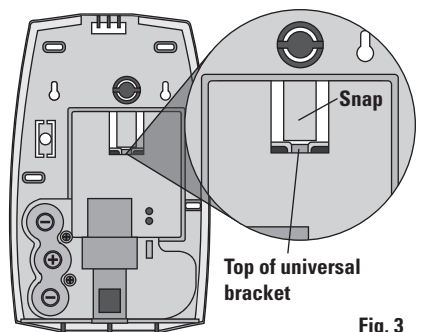
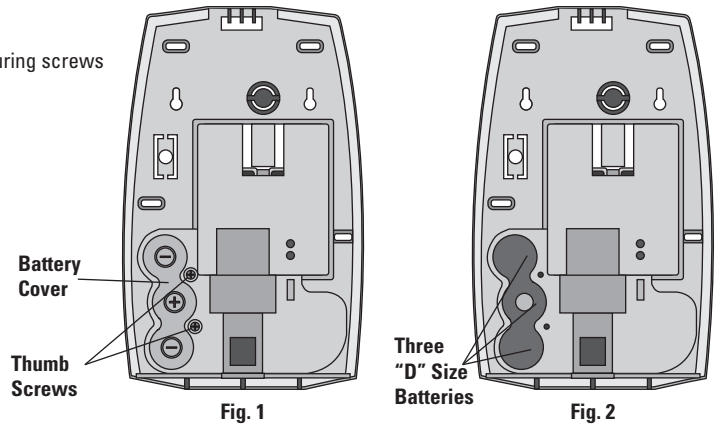


Fig. 3

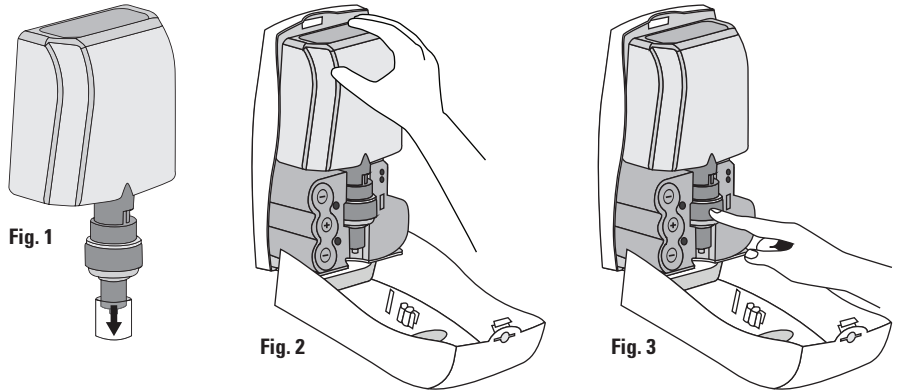
## INSTALLING BATTERIES IN DISPENSER

1. Open dispenser cover.
2. Unscrew two thumb screws in battery cover.  
Remove cover and carefully set aside.  
**See Figure 1**
3. Install three D size batteries according to proper polarity. **See Figure 2**  
**Use only new alkaline (LR20) D size batteries.**
4. Reinstall battery cover ensuring screws are securely tightened.



## INSTALLING REFILL IN DISPENSER

1. Open dispenser cover.
2. Remove cap from refill. **See Figure 1**
3. Insert refill into dispenser with pump facing down. **See Figure 2**
4. Lock the refill in place by sliding pump fully into curved recess. **See Figure 3**



## LOW BATTERY AND LOW PRODUCT INDICATORS

1. Low Battery Indicator. **See Figure 1**  
Flashes red when batteries should be changed. **See Figure 3**
2. Low Product Indicator. **See Figure 2**  
Flashes yellow when product level is low. **See Figure 3**

