



Electronic Slimroll Dispenser User Guide

A Dispenser Mounting

Mount the dispenser with the bottom edge of the unit approximately 48 inches above the floor. Use at least two pan head screws no smaller than #8 X 1.0 inch. The installer must ensure that compatible and appropriate mounting hardware is used for the wall surface composition that the dispenser is being mounted to.

B Dispenser Cover Access

The cover can be opened with the supplied key that is taped to the back of the dispenser. Insert the key into the two slots at the top of the cover. Push down and pull forward for the cover to open. An alternate opening push button can also be installed, which is located inside the unit.

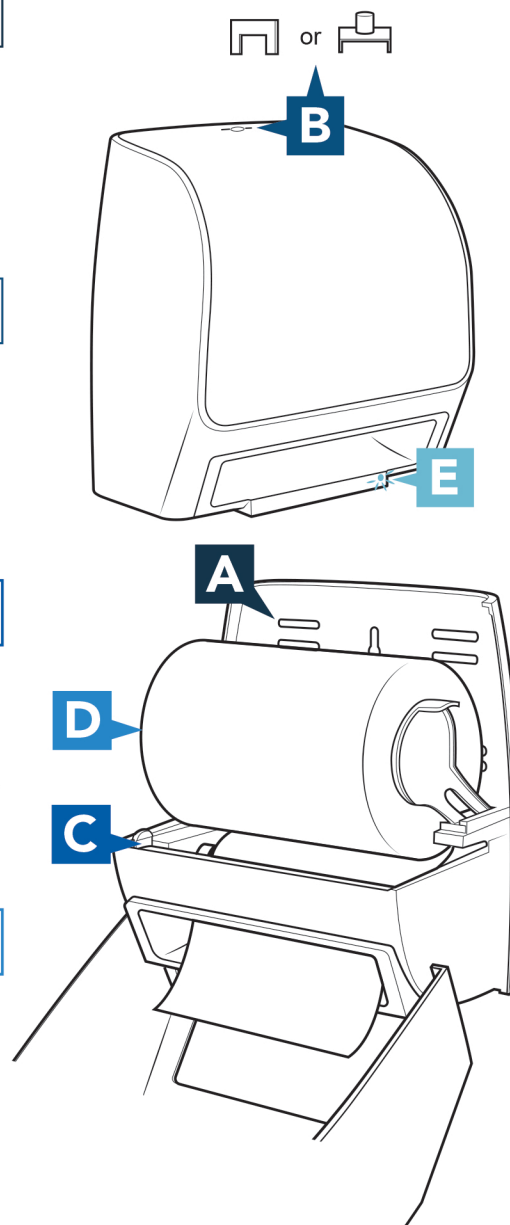
C Battery Requirements and Loading

Open the dispenser cover. The battery compartment is located at the front lip of the dispenser. The cover to the battery compartment is removed by pushing the left hand tab inward and lifting up. Insert (4) "D" size alkaline batteries labeled with an "LR20" designation. Other types of batteries are **not acceptable**. Install batteries as shown in the graphics engraved in the battery compartment.

D Paper Roll Loading and Paper Saving Mode

The unit is designed to accept SCOTT® 47035 and SCOTT® 47032 paper codes. Paper is to be loaded with the paper "tail" unwinding from the back of the roll. The first sheet of paper is started by placing the "tail" in between the two rollers, closing the cover, and initiating a dispense cycle. **See the instruction graphics inside the unit.**

Once the paper is loaded correctly, the unit is ready to dispenser at the factory-set nominal 10-inch paper length. It takes about three dispenses to self-adjust to the nominal paper length.



E Indicator Light Function

The LED indicator light, located at the right bottom edge of the paper chute, will flash one time after the batteries are installed to indicate that the unit is powered and initialized. This may take up to 4 seconds after the batteries are installed. The LED will flash once after each dispense cycle to indicate that the unit is ready for the next use. The LED will flash once every 1.5 seconds continuously when the batteries need replacement.

Diagnostics

If the unit will not dispense:

1. If the LED indicator light is flashing, the batteries need to be replaced.
2. If the LED indicator light is not flashing, make sure that the batteries are present and loaded in the correct orientation.
3. Remove and re-install batteries
4. Make sure that the paper has been loaded correctly, the paper roll turns freely, and the paper path is clear of obstructions.