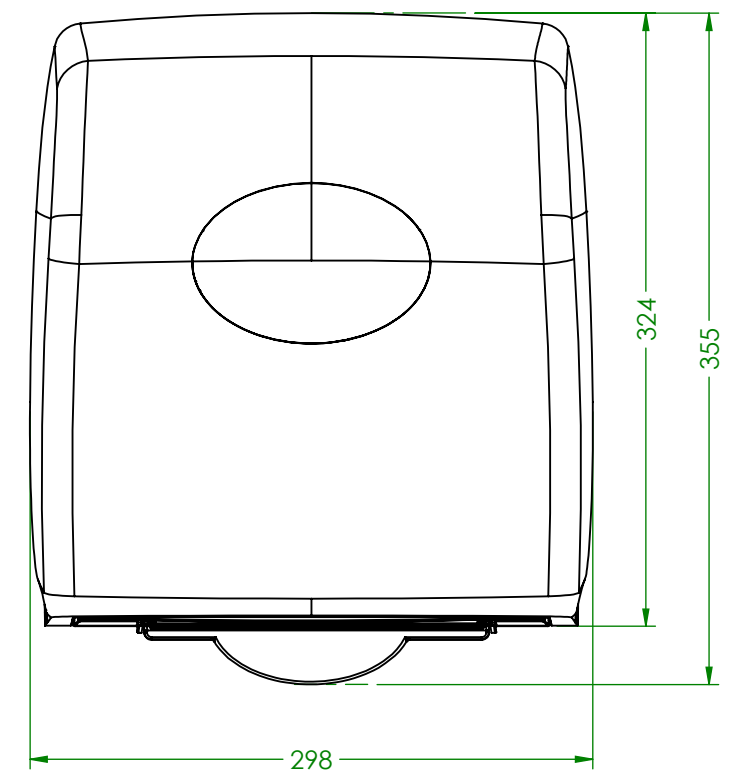
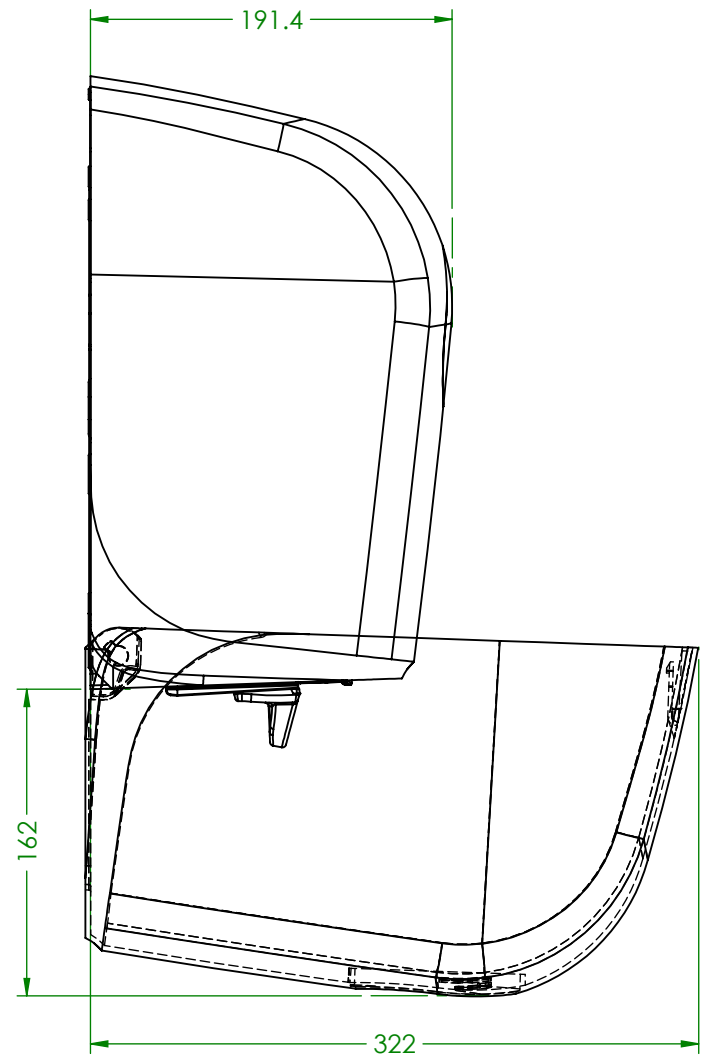
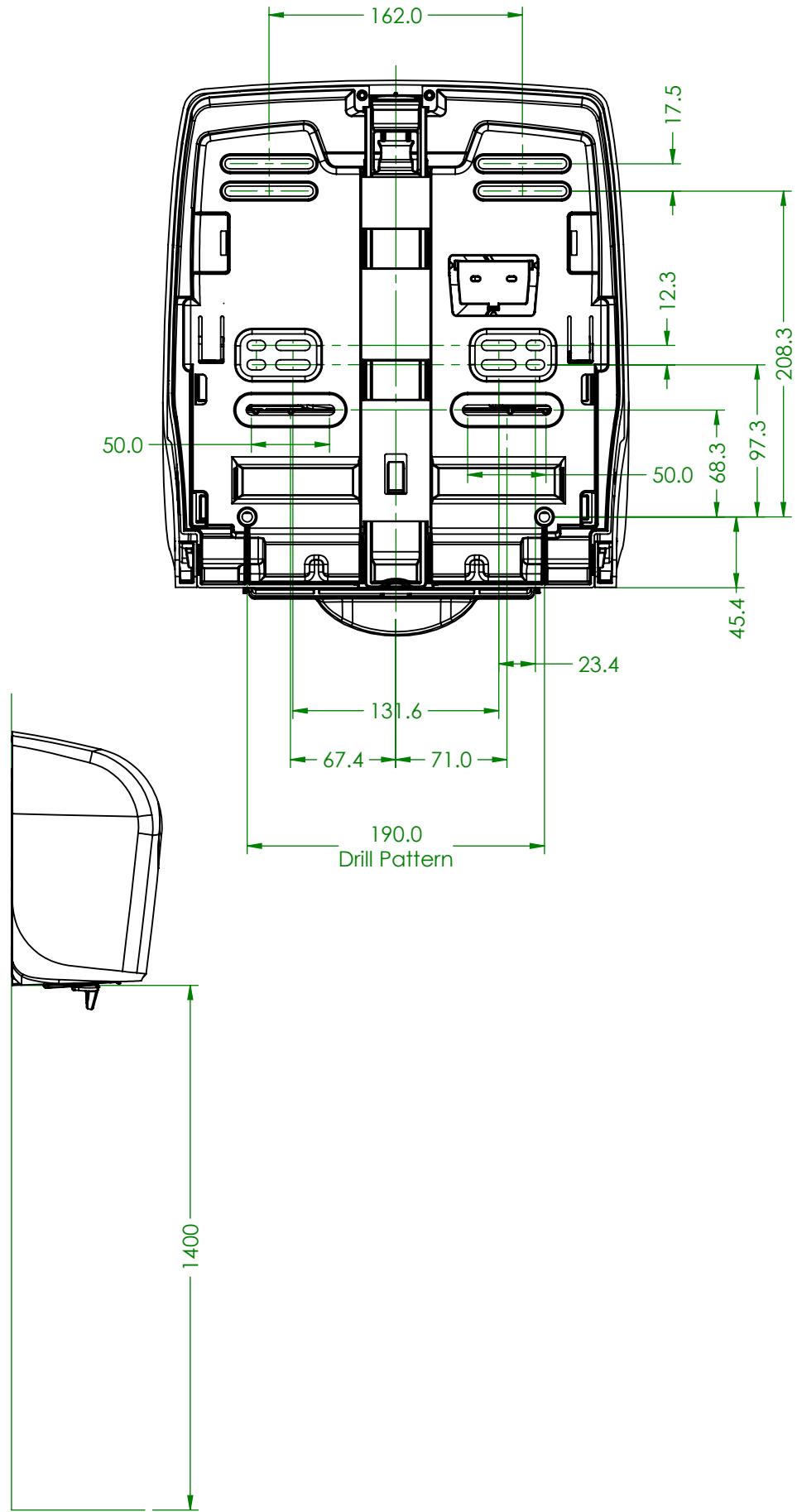


REV	REVISION DESCRIPTION	DATE	ECO No.
-----	----------------------	------	---------



PROPRIETARY AND CONFIDENTIAL
 THE INFORMATION CONTAINED IN THIS DRAWING IS THE SOLE PROPERTY OF DISPENSING DYNAMICS. ANY REPRODUCTION IN PART OR AS A WHOLE WITHOUT THE WRITTEN PERMISSION OF DISPENSING DYNAMICS IS PROHIBITED.

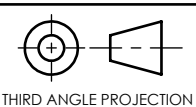
COMPUTER GENERATED DRAWING - DO NOT UPDATE MANUALLY
DO NOT SCALE DRAWING

TOLERANCES

DECIMAL:
 .XX ±0.010
 .XXX ±0.005
 .XXXX ±0.0005

ANGULAR:
 ± 0.5°

UNLESS NOTED OTHERWISE



MATERIAL:	
SHRINK:	
FINISH:	
PART WEIGHT:	UNITS: INCHES
DRAWN:	DATE: 2/23/2016
CHECKED:	DATE:
APPROVED:	DATE:

DESCRIPTION: Tardis 6in Dispenser		
PART No.	REV	
FILE NAME: Tardis 6in Holes and Dimensions Nov10 2016		
JOB No:	SCALE 1:4	SHEET 1 OF 1
		SIZE B